

**GENERAL NOTES:**

- ALL FASTENERS SHALL BE IN ACCORDANCE WITH THESE DRAWINGS. SPECIFIED ANCHOR EMBED TO BASE MATERIAL SHALL BE BEYOND WALL FINISH OR STUCCO.
- OPENINGS, BUCKING & BUCKING FASTENERS MUST BE PROPERLY DESIGNED & INSTALLED TO TRANSFER WIND LOADS TO THE STRUCTURE.
- THESE LARGE MISSILE IMPACT RATED PRODUCT INSTALLATIONS ARE IN ACCORDANCE WITH AND MEET THE REQUIREMENTS OF THE FLORIDA BUILDING CODE (FBC).
- ALL ANCHORS SECURING PRODUCT FRAMES TO PRESSURE TREATED BUCKS OR WOOD FRAMING SHALL BE CAPABLE OF RESISTING CORROSION CAUSED BY THE PRESSURE TREATING CHEMICALS IN THE WOOD.
- MATERIALS, INCLUDING BUT NOT LIMITED TO STEEL SCREWS, THAT COME INTO CONTACT WITH OTHER DISSIMILAR MATERIALS SHALL MEET THE REQUIREMENTS OF FLORIDA BUILDING CODE CHAPTER 20.
- TO THE BEST OF OUR KNOWLEDGE, THE PRODUCT SHOWN HEREIN IS CERTIFIED & QUALITY ASSURED BY A FLORIDA STATE APPROVED CERTIFICATION/QA ENTITY & SHALL BE LABELED IN ACCORDANCE WITH THE FBC AND THE FLORIDA DEPARTMENT OF BUSINESS & PROFESSIONAL REGULATION SPECIFICATIONS. PRODUCT ASSEMBLY IS NOT PART OF THIS DRAWING AND SHALL BE IN ACCORDANCE WITH THE MANUFACTURER'S QUALITY ASSURANCE SPECIFICATIONS & TESTING REPORTS.
- CERTIFICATION OF THESE PRODUCT INSTALLATIONS SHALL BE CONSIDERED VOID IF ANY OF THE FOLLOWING APPLY: 1) PRODUCT IS INSTALLED WITHOUT A BUILDING PERMIT FROM THE APPLICABLE LOCAL BUILDING DEPARTMENT. 2) PRODUCT IS INSTALLED BY ANYONE OTHER THAN A LICENSED CONTRACTOR EXPERIENCED WITH INSTALLATIONS OF THIS TYPE OF PRODUCT. 3) IF CHANGES HAVE OCCURRED TO THE PRODUCT'S CERTIFICATION ENTITY'S CERTIFICATE THAT CAUSE THESE INSTALLATIONS TO BE INCORRECT OR INCONSISTENT WITH WHAT HAS BEEN TESTED.
- THE LEAST DESIGN PRESSURE SPECIFIED EITHER IN THIS DRAWING OR IN THE PRODUCTS CERTIFICATION SHALL CONTROL FOR THE INSTALLED PRODUCT.
- THESE DRAWINGS CERTIFY THE PRODUCT INSTALLATION ONLY. WATER PROOFING OF THE INSTALLED PRODUCT IS NOT PART OF THIS INSTALLATION CERTIFICATION. THAT RESPONSIBILITY SHALL BE THAT OF THE MANUFACTURER &/OR INSTALLER.

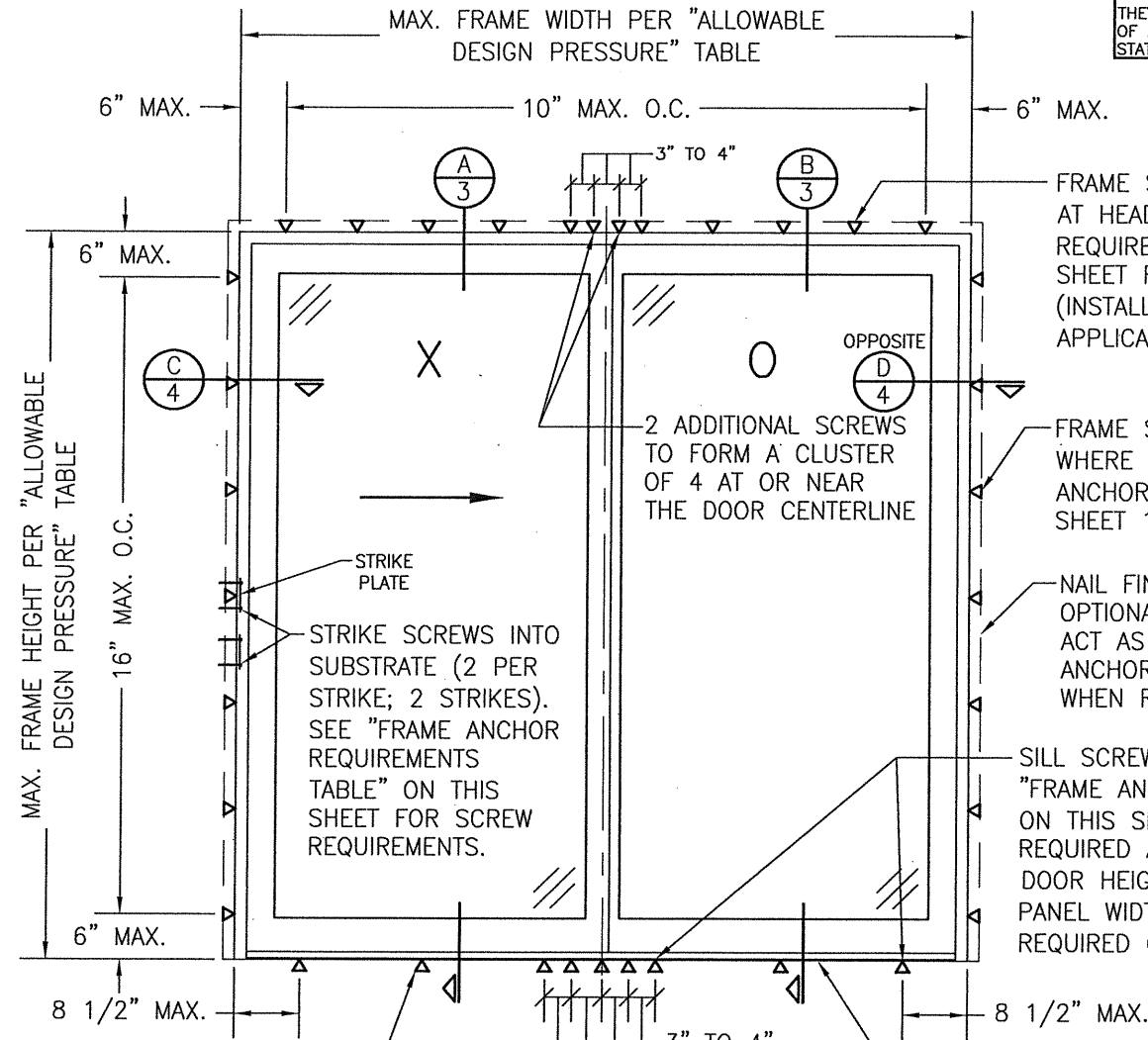
THESE DRAWINGS ARE APPLICABLE ONLY TO THE PRODUCT SPECIFIED. THEY MAY NOT BE USED FOR THE ASSEMBLY AND/OR INSTALLATION OF ANY OTHER PRODUCT NOR MAY THEY BE USED FOR RATIONAL AND/OR LOCAL APPROVAL OF ANY PRODUCT NOT PRODUCED BY THE MANUFACTURER STATED ON THESE DRAWINGS.

DRAWN BY:	W.R.M.	CHECKED BY:	W.W.S.
DATE:	12/16/11	DATE:	04/20/09
PLOT:	1=24		

NO.	REVISION DESCRIPTION	BY	DATE
A1	UPDATE TO CURRENT STANDARDS	W.R.M.	12/16/11
B1	UPDATE PER NEW TESTING	W.R.M.	05/15/13
C1	UPDATE TO CURRENT STANDARDS	W.W.S.	10/04/16
D1	UPDATE FOR NEW TESTING	W.W.S.	05/17/17
E1	ADD 10' DOORS	W.W.S.	12/12/17

**FRAME ANCHOR REQUIREMENTS TABLE**

OPENING TYPE (SUBSTRATE)	FRAME/CLIP/NAIL FIN TO OPENING FASTENER TYPE	MINIMUM EMBED	MINIMUM EDGE DIST.
<b>FRAME/SILL SCREWS</b>			
(4) MIN. 2X_ WOOD FRAME OR BUCK (MIN. GR. 3 & G=0.55)	NO. 10 SMS OR WOOD SCREW	1 1/4"	3/4"
MIN. 18 GA. 33 KSI METAL STUD	NO. 10 GR. 5 SELF TAP/DRILL SCREW	FULL	1/2"
MIN. 1/8" THK A36 STEEL	NO. 10 GR. 5 SELF TAP/DRILL SCREW	FULL	1/2"
MIN. 1/8" THK 6063-T5 ALUM.	NO. 10 GR. 5 SELF TAP/DRILL SCREW	FULL	1/2"
C-90 CMU/2500 PSI CONCRETE	(1) 1/4" CONCRETE SCREW	1 1/4"	2"
<b>(2) INSTALLATION CLIP SCREWS (STANDARD BENT CONDITION)</b>			
MIN. 2X4 WOOD FRAME OR BUCK (MIN. GR. 3 & G=0.55)	NO. 8 X 1 1/2" SMS	1 3/8"	(2) N/A
MIN. 1/8" THK A36 STEEL	NO. 8 GR. 5 SELF TAP/DRILL SCREW	FULL	(2) N/A
MIN. 1/8" THK 6063-T5 ALUM.	NO. 8 GR. 5 SELF TAP/DRILL SCREW	FULL	(2) N/A
<b>INSTALLATION CLIP SCREWS (ALTERNATE STRAIGHT CONDITION)</b>			
MIN. 2X6 WOOD FRAME OR BUCK (MIN. GR. 3 & G=0.55)	NO. 8 X 1 1/2" SMS	1 3/8"	3/4"
MIN. 18 GA. 33 KSI METAL STUD	NO. 8 GR. 5 SELF TAP/DRILL SCREW	FULL	1/2"
MIN. 1/8" THK A36 STEEL	NO. 8 GR. 5 SELF TAP/DRILL SCREW	FULL	1/2"
MIN. 1/8" THK 6063-T5 ALUM.	NO. 8 GR. 5 SELF TAP/DRILL SCREW	FULL	1/2"
<b>(3) NAILING FIN FASTENERS</b>			
MIN. 2X_ WOOD FRAME OR BUCK (MIN. GR. 3 & G=0.55)	NO. 8 X 1 1/2" SMS	1 3/8"	1/2"
MIN. 2X_ WOOD FRAME OR BUCK (MIN. GR. 3 & G=0.55)	11 GA. ROOFING NAIL	1 3/8"	1/2"
MIN. 1/8" THK A36 STEEL	NO. 8 GR. 5 SELF TAP/DRILL SCREW	FULL	1/2"
MIN. 1/8" THK 6063-T5 ALUM.	NO. 8 GR. 5 SELF TAP/DRILL SCREW	FULL	1/2"
<b>STRIKE SCREWS</b>			
MIN. 2X_ WOOD FRAME OR BUCK (MIN. GR. 3 & G=0.55)	NO. 8 SMS OR WOOD SCREW	1 1/4"	3/4"
MIN. 18 GA. 33 KSI METAL STUD	NO. 8 GR. 5 SELF TAP/DRILL SCREW	FULL	1/2"
MIN. 1/8" THK A36 STEEL	NO. 8 GR. 5 SELF TAP/DRILL SCREW	FULL	1/2"
MIN. 1/8" THK 6063-T5 ALUM.	NO. 8 GR. 5 SELF TAP/DRILL SCREW	FULL	1/2"
C-90 CMU/2500 PSI CONCRETE	(1) 3/16" CONCRETE SCREW	1 1/4"	2"



SILL SCREW ONLY REQUIRED AT PANEL CENTERLINES WHEN DOOR PANEL IS GREATER THAN 48" WIDE.

**EXTERIOR ELEVATION:**  
**2-PANEL SLIDING DOOR**  
SCALE: 1/2" = 1'-0"  
(XO SHOWN. OX ALSO APPLIES)

EDGE DISTANCE MAY BE DECREASED TO 1/2" IF SCREWS ARE ANGLED 15 TO 20 DEGREES AWAY FROM THE EDGE.

**ALTERNATE ANCHOR/SUBSTRATE EVALUATION NOTE:**  
ALL ALTERNATE ANCHORS IN THEIR SPECIFIED SUBSTRATES HAVE BEEN ANALYZED IN ACCORDANCE WITH THEIR APPLICABLE STANDARD(S) AND ARE FOUND TO BE EQUIVALENT TO OR STRONGER THAN THE ANCHOR(S) USED IN TESTING WITH THIS PRODUCT.

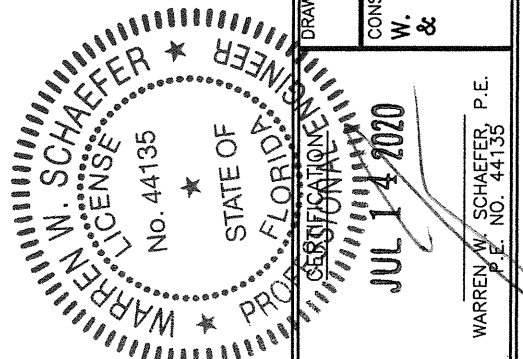
INSTALLATION EVALUATION IS BASED ON APPLICABLE ANCHOR STANDARDS AND/OR INFORMATION & RESULTS FROM APPLICABLE TEST REPORTS. THE FLORIDA BUILDING CODE VERSION CONSIDERED WITH THE EVALUATION WAS THAT IN FORCE AT THE TIME OF THE EVALUATION. IN THE EVENT OF CODE VERSION CHANGES/UPDATES OR IN THE EVENT THAT NEW OR ADDITIONAL TESTING IS COMPLETED ON THE REFERENCED PRODUCT, PRIOR TO STATING CODE COMPLIANCE WITH THE STATE, THE MANUFACTURER SHALL CONFIRM WITH THE INSTALLATION EVALUATION ENGINEER OF RECORD THAT THE INSTALLATIONS SPECIFIED HERE-IN ARE CURRENT WITH THE THEN CURRENT TESTING, CODE AND APPLICABLE STANDARDS.

ALLOWABLE DESIGN PRESSURE (2-PANEL SLIDING DOOR)			
MAX. FRAME WIDTH (IN.)	MAX. FRAME HEIGHT (IN.)	ALLOWABLE PRESSURE (PSF)	
		POS.	NEG.
95 1/4	95 1/2	60	60
71 1/4	95 1/2	65	65
119 1/4	119 1/2	35	45

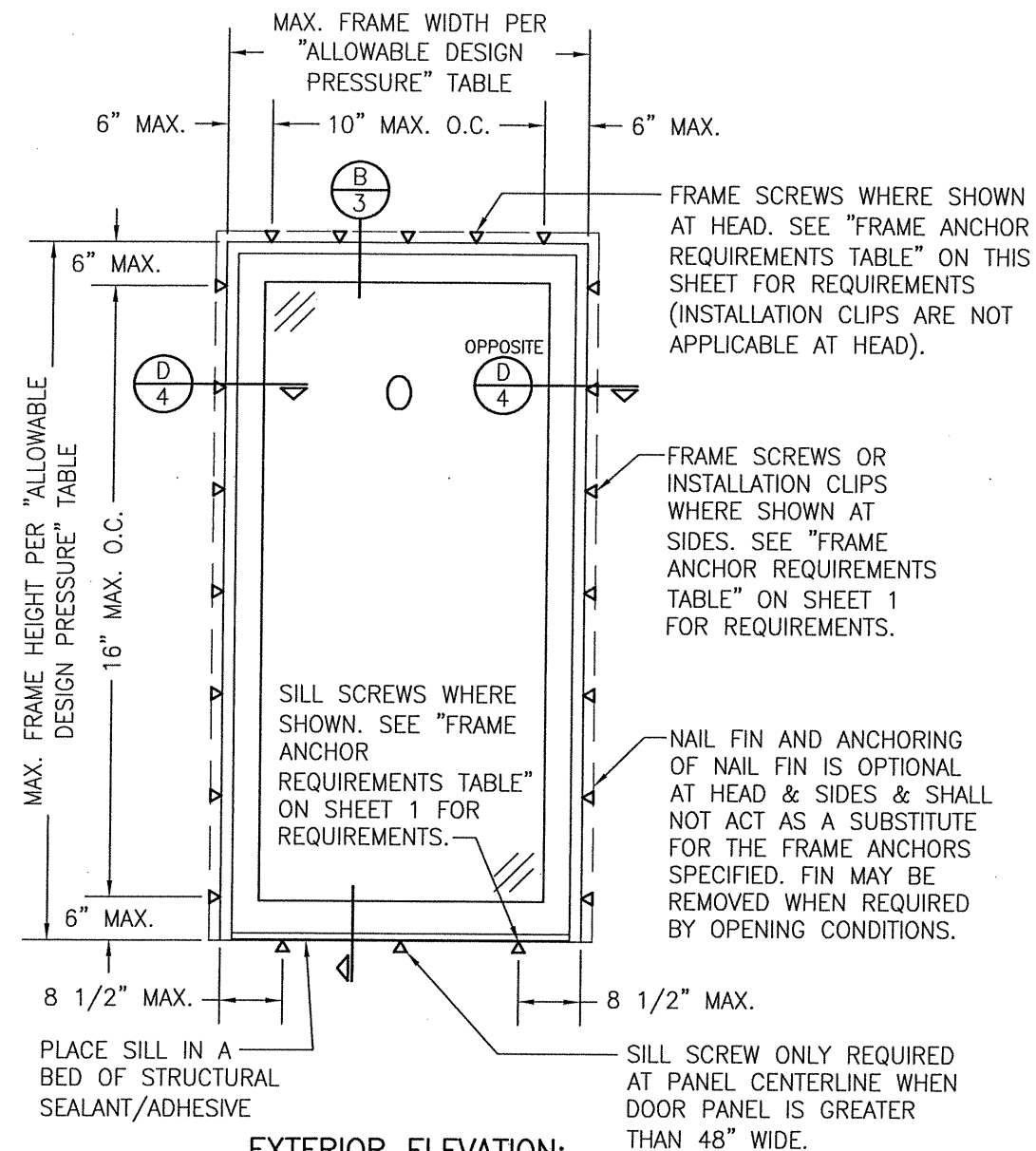
- FRAME SCREWS WHERE SHOWN AT HEAD. SEE "FRAME ANCHOR REQUIREMENTS TABLE" ON THIS SHEET FOR REQUIREMENTS (INSTALLATION CLIPS ARE NOT APPLICABLE AT HEAD).
- FRAME SCREWS OR INSTALLATION CLIPS WHERE SHOWN AT SIDES. SEE "FRAME ANCHOR REQUIREMENTS TABLE" ON SHEET 1 FOR REQUIREMENTS.
- STRIKE SCREWS INTO SUBSTRATE (2 PER STRIKE; 2 STRIKES). SEE "FRAME ANCHOR REQUIREMENTS TABLE" ON THIS SHEET FOR SCREW REQUIREMENTS.
- STRIKE PLATE
- NAIL FIN AND ANCHORING OF NAIL FIN IS OPTIONAL AT HEAD & SIDES & SHALL NOT ACT AS A SUBSTITUTE FOR THE FRAME ANCHORS SPECIFIED. FIN MAY BE REMOVED WHEN REQUIRED BY OPENING CONDITIONS.
- SILL SCREWS WHERE SHOWN. SEE "FRAME ANCHOR REQUIREMENTS TABLE" ON THIS SHEET FOR REQUIREMENTS. (5 REQUIRED AT SILL MID-SPAN WHEN DOOR HEIGHT EXCEEDS 95 1/2" & PANEL WIDTH EXCEEDS 48". 4 REQUIRED OTHERWISE.)
- PLACE SILL IN A BED OF STRUCTURAL SEALANT/ADHESIVE

**PELLA/ARCHITECT SERIES CLAD IMPACT SLIDING GLASS DOOR**  
MANUFACTURER  
**PELLA CORPORATION**  
102 MAIN STREET  
PELLA, IA 50219  
641-621-1000

CONSULTANTS  
**W. W. SCHAEFER ENGINEERING & CONSULTING, P.A. (CA 6809)**  
7480 150TH COURT NORTH  
PALM BEACH GARDENS, FL 33418  
PHONE: 561-744-3424



DRAWING NO.	REV.
1667	E
SHEET NO.	
1 OF 4	



**EXTERIOR ELEVATION:  
FIXED PANEL DOOR**  
SCALE: 1/2" = 1'-0"

ALLOWABLE DESIGN PRESSURE (SINGLE FIXED PANEL DOOR)			
MAX. FRAME WIDTH (IN.)	MAX. FRAME HEIGHT (IN.)	ALLOWABLE PRESSURE (PSF)	
		POS.	NEG.
48 13/16	95 1/2	70	70
60 13/16	119 1/2	40	50

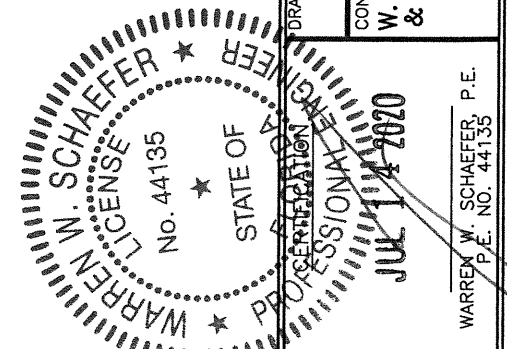
DRAWN BY: W.R.M. CHECKED BY: W.W.S.  
PLOT: 1=24 DATE: 04/20/09

NO.	REVISION DESCRIPTION	BY	DATE

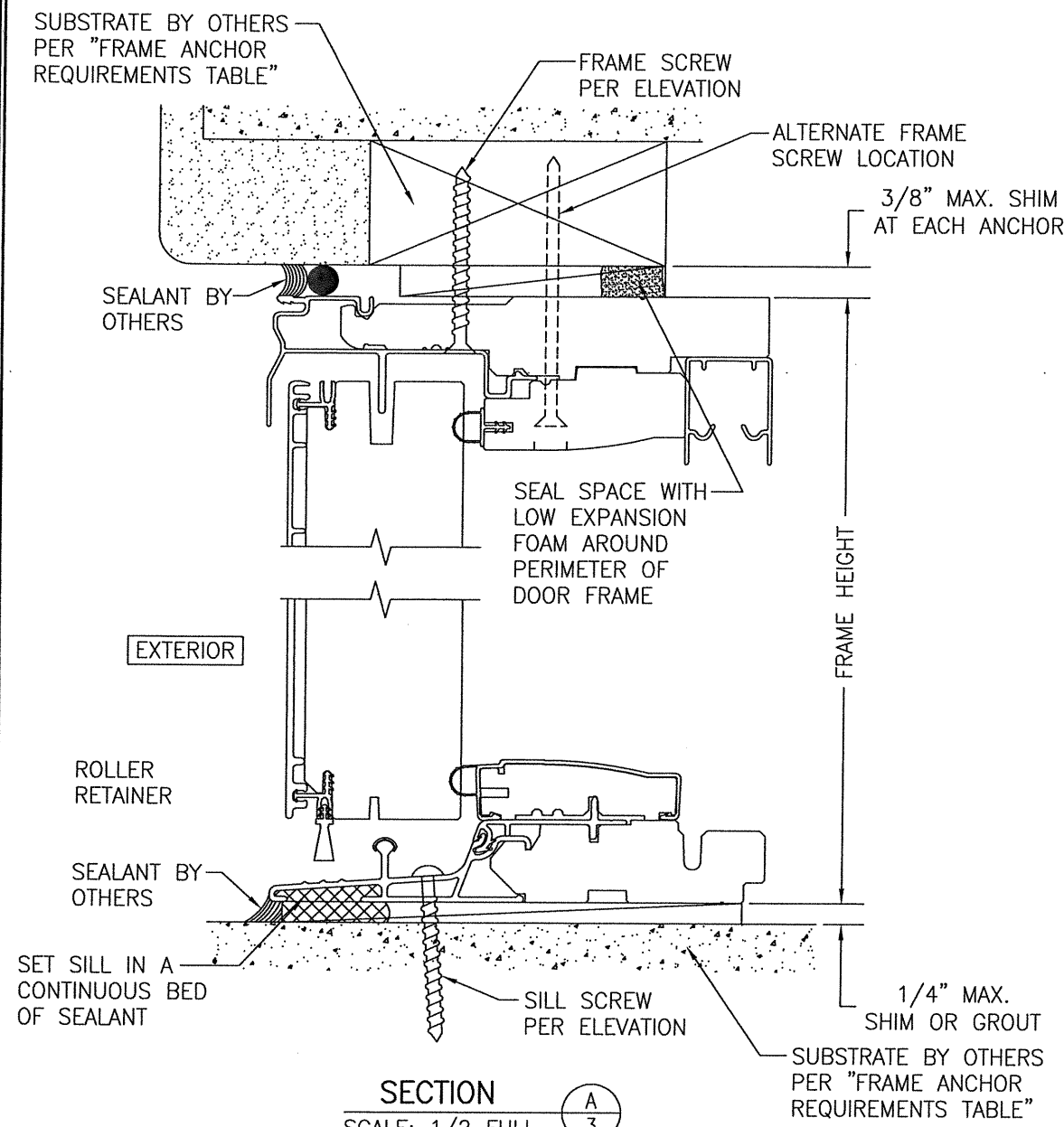
DRAWING TITLE: PELLA/ARCHITECT SERIES CLAD IMPACT SLIDING GLASS DOOR

MANUFACTURER: PELLA CORPORATION  
102 MAIN STREET  
PELLA, IA 50219  
641-621-1000

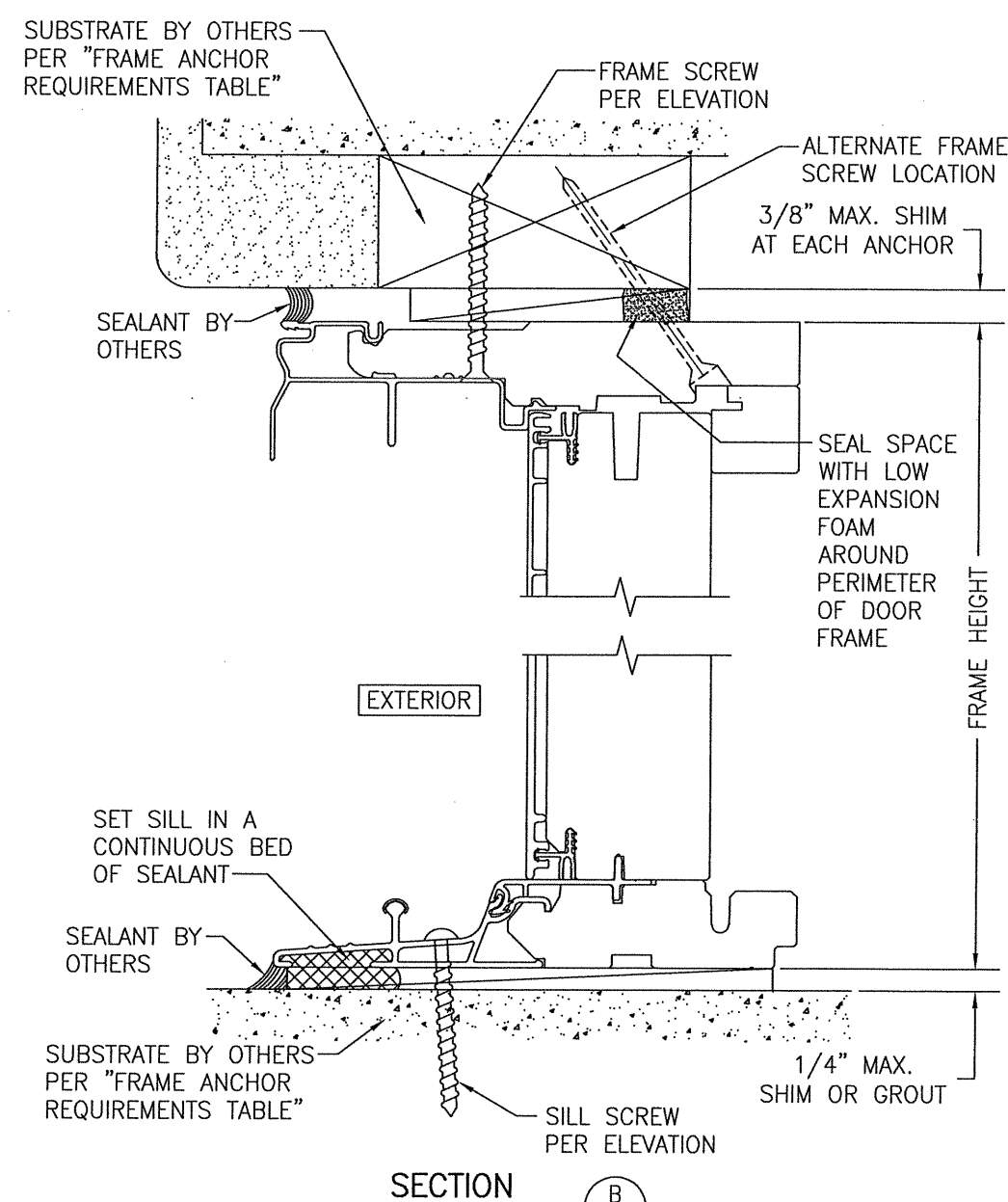
CONSULTANTS: W. W. SCHAEFER ENGINEERING & CONSULTING, P.A. (CA 6809)  
7480 150TH COURT NORTH  
PALM BEACH GARDENS, FL 33418  
PHONE: 561-744-3424



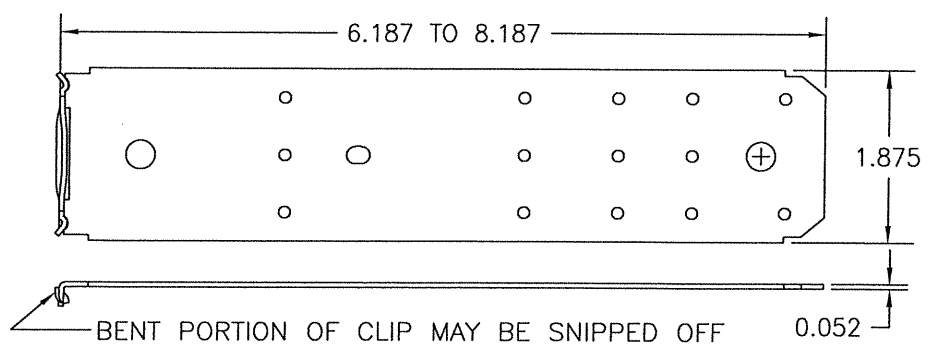
DRAWING NO. 1667 REV. F  
SHEET NO. 2 OF 4



SECTION A  
SCALE: 1/2 FULL




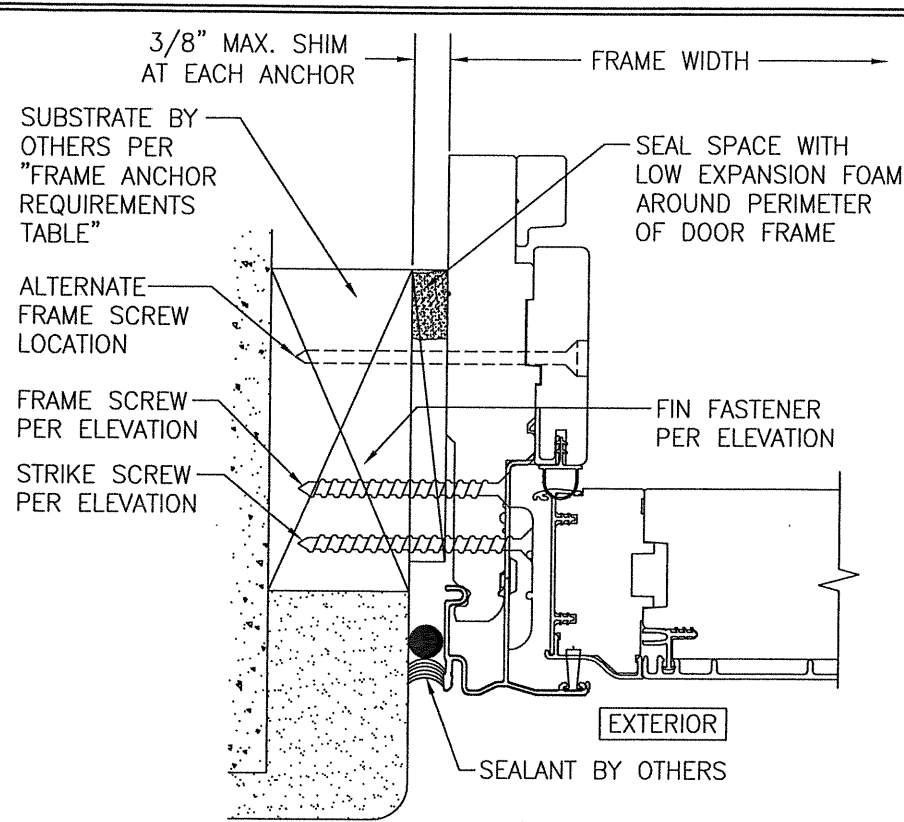
SECTION B  
SCALE: 1/2 FULL



① FRAME INSTALLATION CLIP  
(50 KSI STEEL)

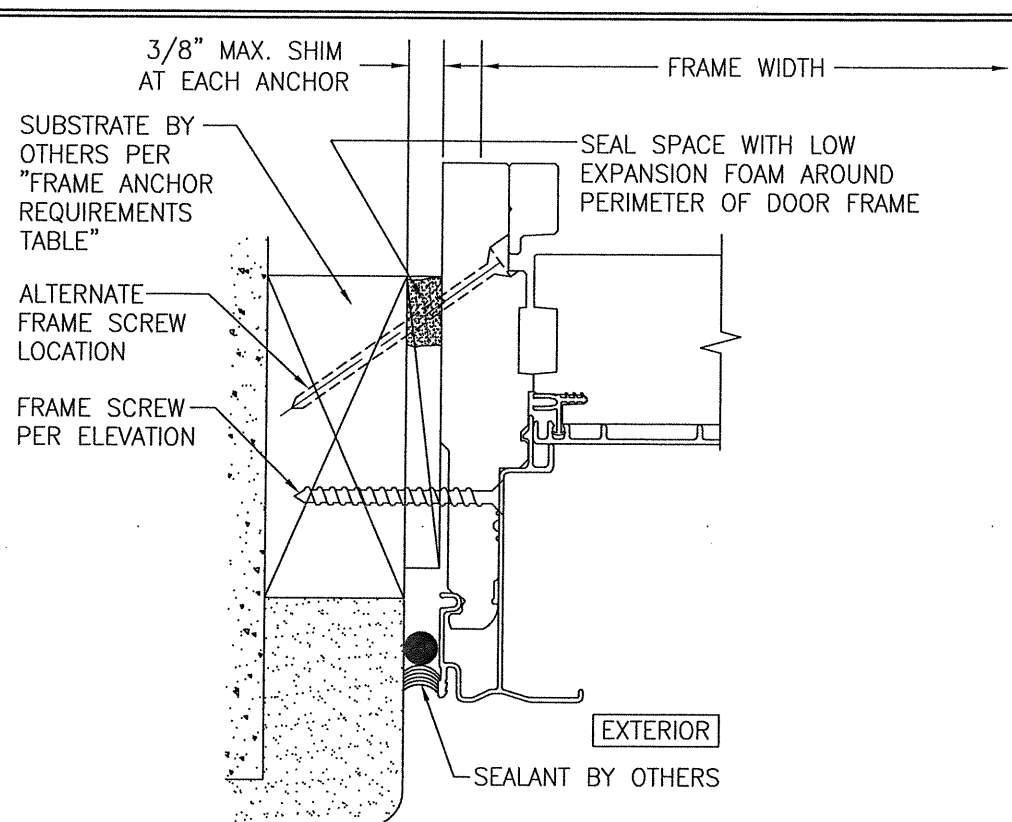


DRAWN BY: W.R.M.		CHECKED BY: W.W.S.	
PLOT: 1=2		DATE: 04/20/09	
NO.	REVISION DESCRIPTION	BY	DATE
DRAWING TITLE PELLA/ARCHITECT SERIES CLAD IMPACT SLIDING GLASS DOOR			
CONSULTANTS PELLA CORPORATION 102 MAIN STREET PELLA, IA 50219 641-621-1000			
MANUFACTURER 			
CONSULTANTS W. W. SCHAEFER ENGINEERING & CONSULTING, P.A. (CA 6809) 7480 150TH COURT NORTH PALM BEACH GARDENS, FL 33418 PHONE: 561-744-3424			
DRAWING NO. 1667			
REV. E			
SHEET NO. 3 OF 4			

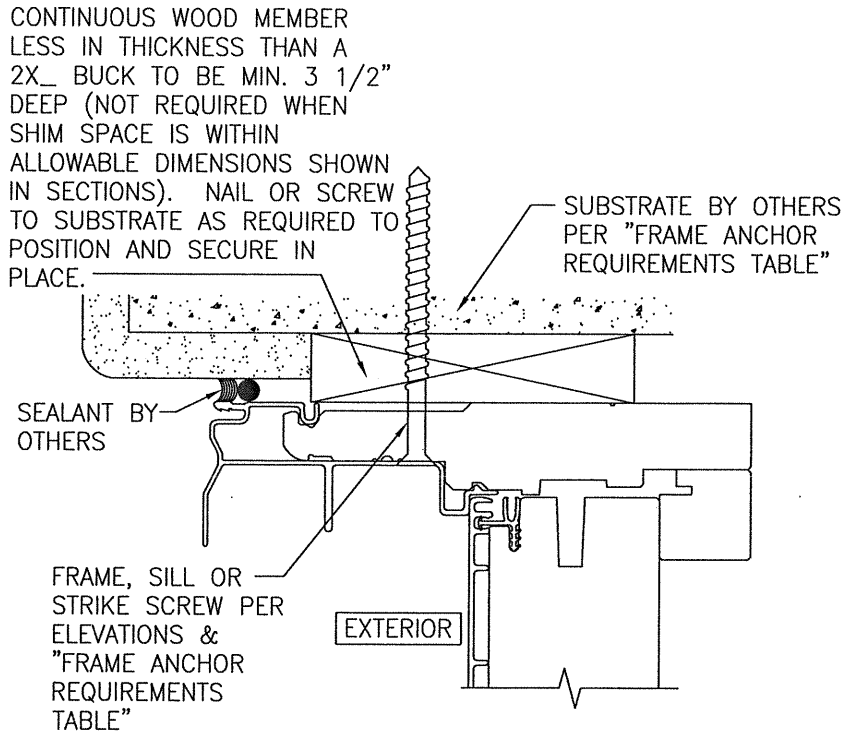


SECTION C  
SCALE: 1/2 FULL

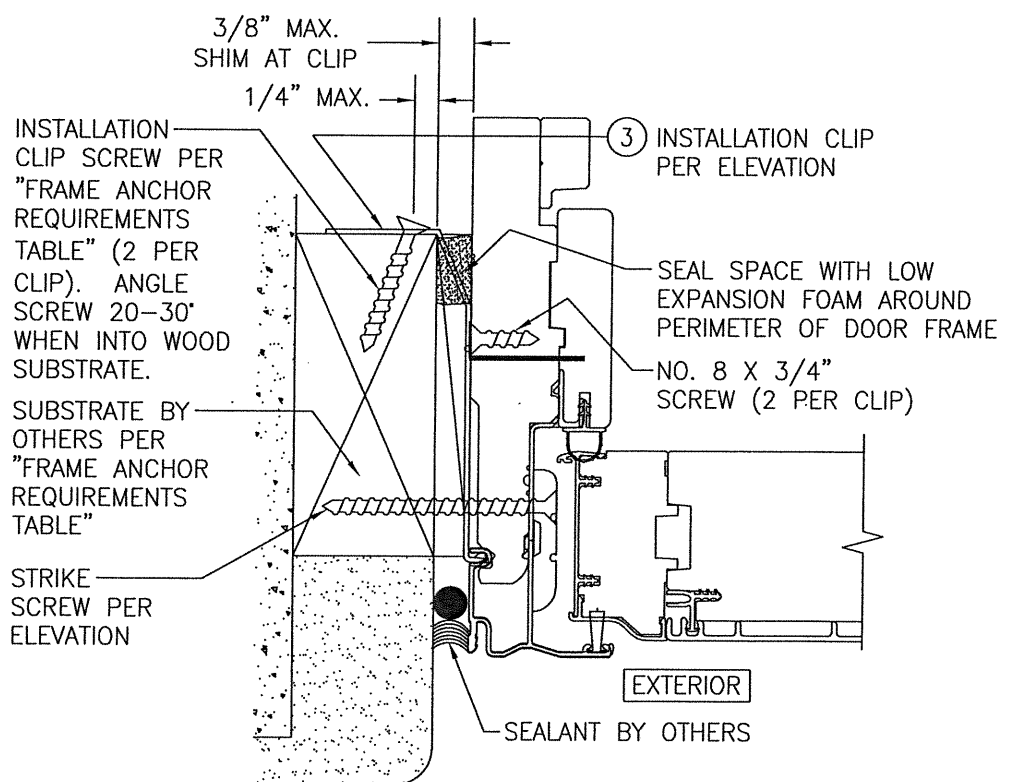
FRAME SCREW MOUNT SHOWN. SEE DETAILS ON THIS SHEET FOR DIRECT MOUNT & CLIP MOUNT DETAILS.



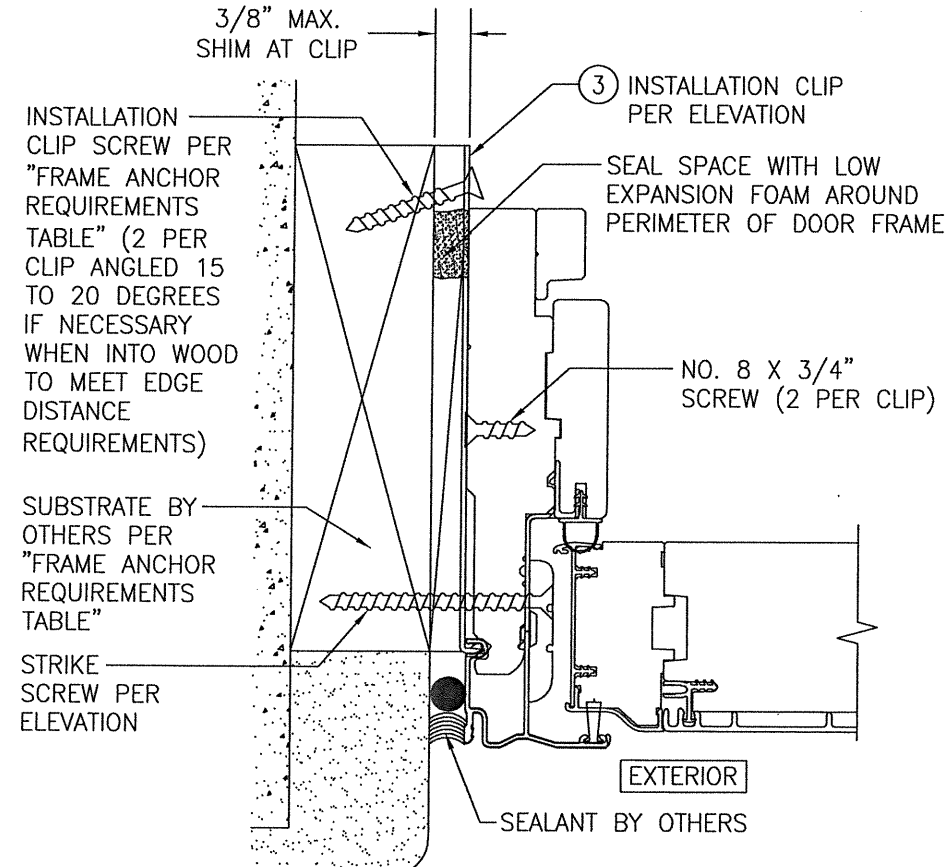
SECTION D  
SCALE: 1/2 FULL



OPTIONAL DIRECT MOUNT DETAIL TO SUBSTRATE WITH SPACER  
(HEAD SECTION SHOWN; SILL & SIDES ARE INSTALLED THE SAME)  
(FOR DETAIL NOT SHOWN, SEE OTHER SECTIONS)



STANDARD INSTALLATION CLIP DETAIL  
(OPERABLE DOOR SHOWN, FIXED PANEL DOOR ALSO APPLIES)  
(THIS INSTALLATION CONDITION IS NOT APPLICABLE AT HEAD OR SILL)



ALTERNATE INSTALLATION CLIP DETAIL  
(OPERABLE DOOR SHOWN, FIXED PANEL DOOR ALSO APPLIES)  
(THIS INSTALLATION CONDITION IS NOT APPLICABLE AT HEAD AND/OR SILL)

DRAWN BY: W.R.M.	CHECKED BY: W.W.S.
PLOT: 1=2	DATE: 04/20/09
DATE	
BY	
REVISION DESCRIPTION	
NO.	
DRAWING TITLE PELLA/ARCHITECT SERIES CLAD IMPACT SLIDING GLASS DOOR	
MANUFACTURER PELLA CORPORATION 102 MAIN STREET PELLA, IA 50219 641-621-1000	
CONSULTANTS W. SCHAEFER ENGINEERING & CONSULTING, P.A. (CA 6809) 7480 150TH COURT NORTH PALM BEACH GARDENS, FL 33418 PHONE: 561-744-3424	
PROFESSIONAL ENGINEER WARREN M. SCHAEFER, P.E. LICENSE No. 44135 STATE OF FLORIDA JUL 14 2020 WARREN W. SCHAEFER, P.E. P.E. NO. 44135	
DRAWING NO. 1667	REV. E
SHEET NO. 4 OF 4	